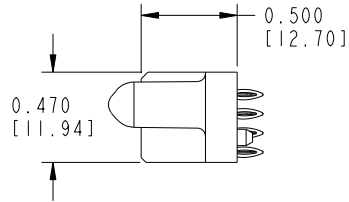
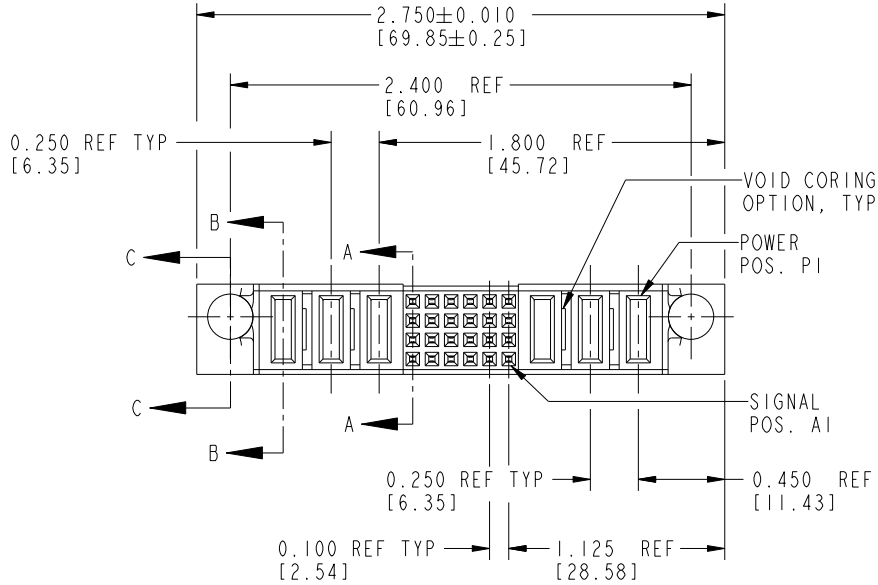
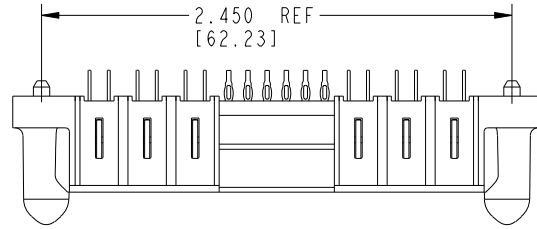


Tous droits strictement réservés. Reproduction ou communication a des tiers interdite sous quelque forme que ce soit sans autorisation écrite du propriétaire. Propriété de c FCI. Droits de reproduction FCI.

All rights strictly reserved. Reproduction or issue to third parties in any form whatever is not permitted without written authority from the proprietor. Property of FCI. Copyright FCI.



PRODUCT No.	ROWS	POWER				SIGNAL				POWER											
		E2	P6	P5	P4	6	5	4	3	2	1	P3	P2	P1	E1						
51750-011-- NOTE:3	D		PC	PF	PC	F	F	F	F	F	F	F	F	F	F	PF	PC	PF			
	C					F	F	F	F	F	F	F	F	F	F					F	
	B					F	F	F	F	F	F	F	F	F	F					F	F
	A					F	F	F	F	F	F	F	F	F	F					F	F



CODE	DIM "M" ±0.010 [0.25]	CONTACT TYPE
PC	0.042 [1.07]	POWER
PF	0.092 [2.34]	POWER
F	N/A [N/A]	SIGNAL

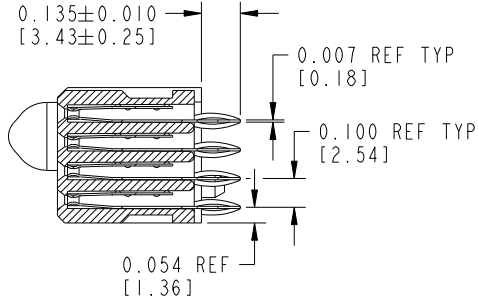
mat'l code				NOTE 2		tolerances unless otherwise specified		CUSTOMER		FCI	
ltr	ecn no.	dr	date	linear	.xx±.01/0.X±0.3	COPY		www.fciconnect.com		title	
A	V02930	CGD	12/14/00		.xxx±.005/0.XX±0.13	projection		3P + 24S + 3P		VERTICAL PRESS-FIT RECEPTACLE	
B	DG05-0504	GJM	12/15/05	angles	.xxx±.0020/.xxx±.051	INCH/MM		product family		code	
C	DG08-0251	W D	09/13/08		0°±2°	scale		PwrBlade		213	
				dr	C, DAILY	1:1		size		sheet	
				enrg	J. DODDS			dwg no		1 of 3	
				chr	J. DODDS			A		51750-011	
				appd	J. DODDS						
sheet index	revision sheet	C	C								
		1	2								

Tous droits strictement réservés. Reproduction ou communication a des tiers interdite sous quelque forme que ce soit sans autorisation écrite du propriétaire. Propriété de c FCI. Droits de reproduction FCI.

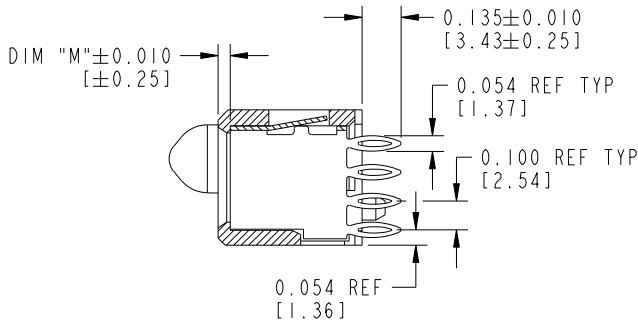


All rights strictly reserved. Reproduction or issue to third parties in any form whatever is not permitted without written authority from the proprietor. Property of FCI. Copyright FCI.

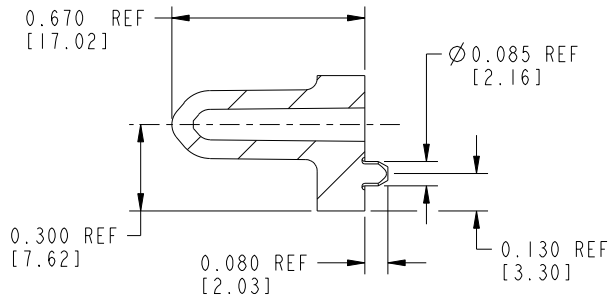
PRODUCT NUMBER
51750-011__



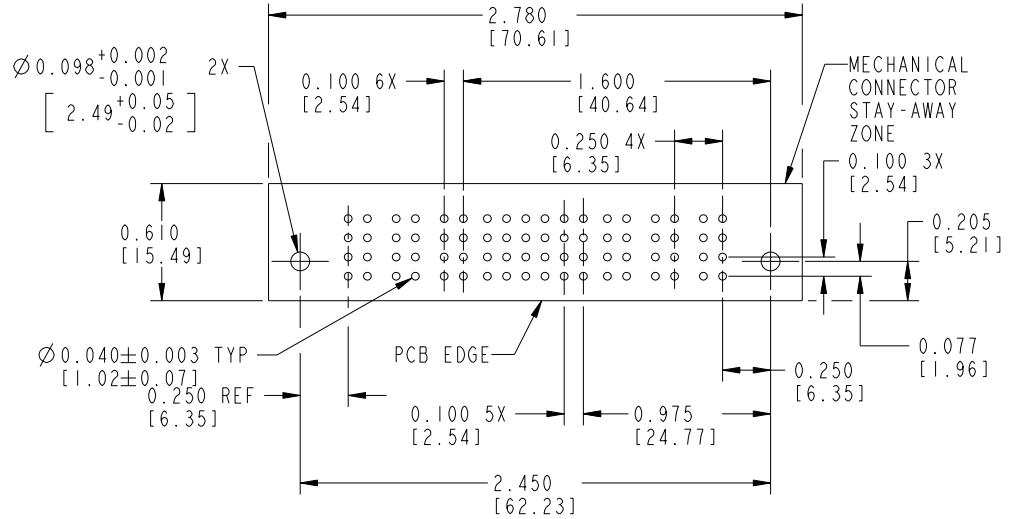
SECTION A-A
SCALE 3:2



SECTION B-B
SCALE 3:2



SECTION C-C
SCALE 3:2



RECOMMENDED PCB LAYOUT

mat'l code				NOTE 2		tolerances unless otherwise specified		CUSTOMER	
ltr	ecn no.	dr	date	linear	.xx±.01/0.X±0.3	projection	FCI www.fciconnect.com		
c				angles	.xxx±.005/0.xx±0.13	INCH/MM	title 3P + 24S + 3P VERTICAL PRESS-FIT RECEPTACLE		
				dr	.xxx±.0020/.xxx±.051	scale	product family PwrBlade		code 213
				enrg	0°±2°	1:1	size A 51750-011		sheet 2
				chr					
				appd					
sheet index	revision sheet								

Pro/E

PDM: Rev: C

STATUS: Released

Printed: Sep 20, 2008

PRODUCT NUMBER
51750-011__

NOTES:

1. DIMENSIONS AND TOLERANCES ARE IN ACCORDANCE WITH ASME Y14.5M, 1994 UNLESS OTHERWISE

CONNECTOR NOTES:

2. HOUSING MATERIAL: UL 94 V-0 GLASS FILLED HIGH-TEMP THERMOPLASTIC
 POWER CONTACT MATERIAL: COPPER ALLOY
 SIGNAL PIN MATERIAL: COPPER ALLOY

3. SEE ITEM 7 & 8 IN PRINT 10064183 FOR PLATING SPEC OF 51750-011 AND 51750-011LF RESPECTIVELY.

4. MANUFACTURER'S NAME, P/N, AND DATE CODE TO APPEAR ON THIS SURFACE.

5. PRODUCT SPECIFICATION GS-12-149. APPLICATION SPECIFICATION BUS-20-067.

PCB NOTES:

6. ALL DIMENSIONS ARE BASIC UNLESS OTHERWISE SPECIFIED.


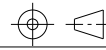
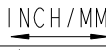
7. ALL THROUGH HOLES ARE LOCATED WITH A TRUE POSITION OF .004 [0.10]

8. ALL HOLE DIAMETERS ARE FINISHED HOLE SIZE

9. Ø0.098 [2.49] THROUGH HOLES ARE UNPLATED

10. Ø0.0453±0.0010 [1.151±0.025] DRILLED HOLES PLATED WITH 0.0003 [0.008] MIN SnPb OVER 0.001 [0.03] TO 0.003 [0.08] Cu PLATING TO ACHIEVE A Ø0.040±0.003 [1.02±0.07] HOLE.

11. A  SYMBOL WILL BE NEXT TO ANY DIMENSION, VIEW, OR NOTE WHICH HAS BEEN MODIFIED WITH THE CURRENT DRAWING REVISION.

mat'l code		NOTE 2		tolerances unless otherwise specified		CUSTOMER			
lfr	ecn no.	dr	date	linear	.XX±.01/0.X±0.3	COPY		www.fciconnect.com	
c				projection	.XXX±.005/0.XX±0.13			title 3P + 24S + 3P VERTICAL PRESS-FIT RECEPTACLE	
				angles	.XXX±.002/.XXX±.051			product family PwrBlade	
				dr	0°±2°	scale		code 213	
				engr	C, DAILY 12/14/00	1:1		size A	
				chr	J. DODDS 12/14/00			dwg no 51750-011	
				appd	J. DODDS 12/14/00			sheet 3	
sheet index	revision sheet								

Tous droits strictement réservés. Reproduction ou communication a des tiers interdite sous quelque forme que ce soit sans autorisation écrite du propriétaire. Propriete de c FCI. Droits de reproduction FCI.



All rights strictly reserved. Reproduction or issue to third parties in any form whatever is not permitted without written authority from the proprietor. Property of FCI. Copyright FCI.